



Twin Pour

Two-time International award-winning **Twin Pour** features dual touch screens, along with two ice dispense points. With up to 266 flavor combinations, including carbonated and non-carbonated, and our proprietary FluidicFlow™ dispensing technology ensures there is no flavor transfer, for the perfect drink every time. Enhance your customer experience with a programmable LCD video merchandiser.

Features

- › Up to 266 flavor combinations, including carbonated and non-carbonated water
- › Serve two customers at once
- › Two 7" LED touch screens
- › Two ice dispense points
- › Dispenses chewable and cubed ice, no additional kit needed
- › Built in redundancy ensures maximum uptime
- › Programmable LED target lighting
- › LFCV 4.0 oz. (multi flavor)
- › 2 Key lock switches
- › Pump Deck and Ice Adaptor included

Accessories and Options

- › LCD Merchandiser
- › Extended Splash Plate
- › Dual Ice Divider

Certified by these agencies:



CUSTOMER SERVICE

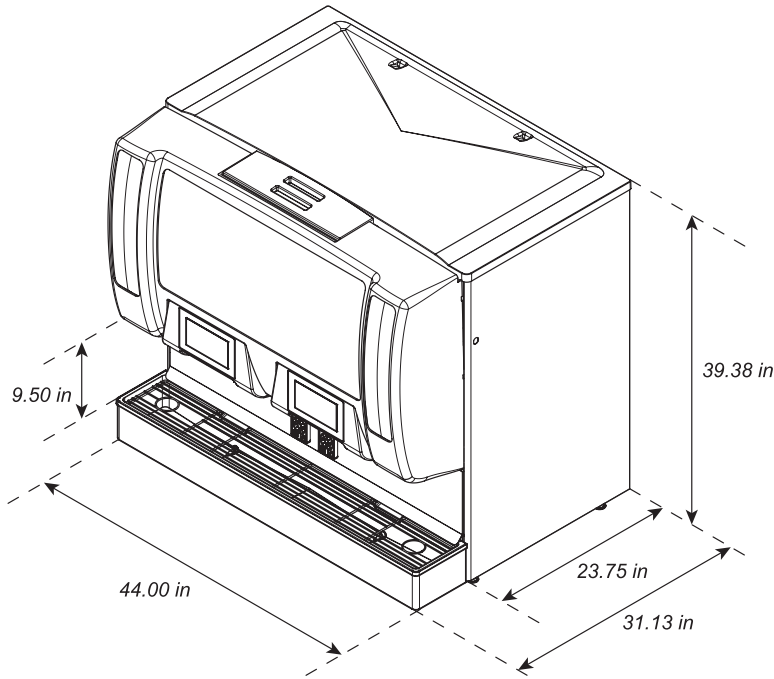
Should you require more information about our products, please do not hesitate to contact our customer service team at custserv@lancerworldwide.com.



WARRANTY

For warranty specifics by product, contact your Lancer™ Sales Representative. Equipment design and/or specifications are subject to change without notice.

For more information visit lancerworldwide.com or call 1-800-729-1500



Distinctive Design

- › Cold Carbonation
- › Pick off tubes
 - 1 plain water
 - 1 carbonated water

Dimensions

Height: 39.375" (1000.1 mm)
Width: 44" (1117.6 mm)
Depth: 31" (787.4 mm)

Space Required

Width: 46" (1168.4 mm)
Depth: 40" (1016 mm)
Height: *Allow sufficient clearance for manually filling with ice or refer to ice maker recommendation for top clearance.*

Electrical

115V/60Hz, 6Amps
220-240V, 50/60 Hz, 3Amps

Weight

With Ice: 745 lbs (337.9 kg)
Shipping: 585 lbs (265 kg)

Ice

Capacity: 312 lbs (142 kg)
Dispensable: 255 lbs (116 kg)
Accepts 30" and 22" and 44" wide ice makers (adapters may be required)

Fittings

Soda Inlets: 3/8" (9.5mm) male barb
Syrup Inlets: 3/8" (9.5mm) male barb

Flex Manifold Configuration

Total carb / non carb flexibility
Up to 24 brands
(10 chilled / 2 ambient per nozzle)
Up to 8 bonus Flavors (4 per nozzle)

For more information visit lancerworldwide.com or call 1-800-729-1500

6655 Lancer Boulevard • San Antonio, TX 78219 • 210-310-7000 • Fax: 210-310-7250 • © 2024 Lancer™ Worldwide • Twin Pour 02/25

"Lancer" and "Lancer Worldwide" are trademarks of Lancer Corp. © 2024 by Lancer™, all rights reserved.