



### Accessories and Options

- › Extended Splash Plate

Certified by these agencies:



#### CUSTOMER SERVICE

Should you require more information about our products, please do not hesitate to contact our customer service team at [custserv@lancerworldwide.com](mailto:custserv@lancerworldwide.com).

Lancer™ Worldwide's **IBD Bold 30i™** is the most advanced beverage dispensing solution on the market today. Equipped with a cutting-edge touchscreen to enhance your beverage dispensing experience, it delivers versatility, aesthetics, and superior beverage quality, all backed by our best-in-class warranty. The **IBD Bold 30i™** propels your beverage dispensing into the next generation for a hassle-free and highly profitable ownership experience.

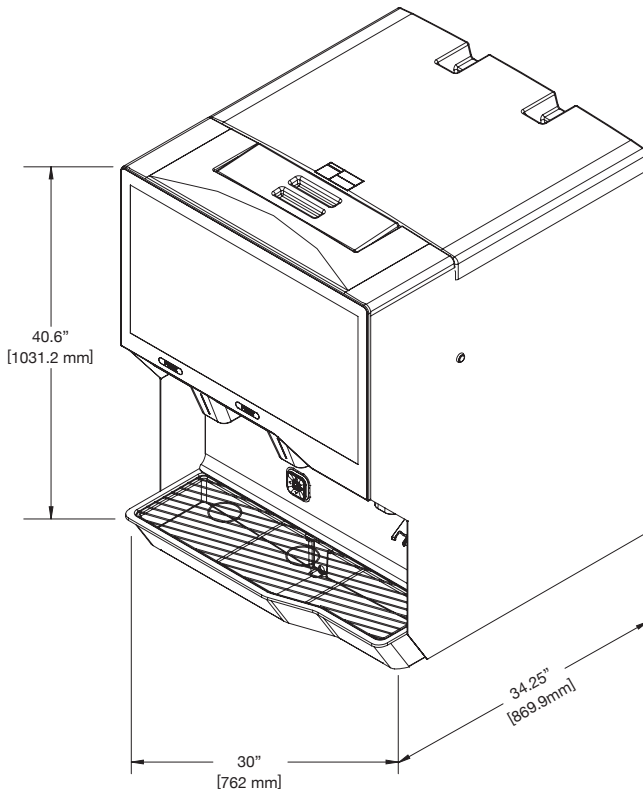
### Features

- › Available with 16 chilled & 12 ambient lines
- › Flexible from 20 to 24 brands, plus 4 to 8 flavor shots
- › Dual dispense capability
- › Magnetic nozzle covers w/ LED target lighting
- › Up to 4 oz. flow rate and carb/non-carb capability
- › Dispense chewable and cubed ice, no additional kit required
- › 32" digital merchandiser for promotional and programmable content
- › LFCV 3.0 oz. (multi flavor)
- › Cold Carbonation w/ remote pump Deck included



#### WARRANTY

For warranty specifics by product, contact your Lancer™ Sales Representative. Equipment design and/or specifications are subject to change without notice.



### Distinctive Design

- › Cold Carbonation
- › Pick off tube
- › 1 plain water

#### Dimensions

Height: 40.6" (1031.2 mm)  
Width: 30" (762 mm)  
Depth: 34.25" (869.9 mm)

#### Space Required

Width: 32" (1168.4 mm)  
Depth: 36" (1016 mm)  
*Height: Allow sufficient clearance for manually filling with ice or refer to ice maker recommendation for top clearance.*

#### Electrical

115V/60Hz, 5 Amps  
220-240V, 50/60 Hz, 2.5 Amps

#### Weight

With Ice: 677 lbs (307.1 kg)  
Shipping: 484 lbs (219.5 kg)

#### Ice Bin Capacity

250 lbs (113.4 kg)  
*Accepts 30" and 22" wide ice makers (adapters may be required)*

#### Fittings

Soda Inlets: 3/8" (9.5mm) male barb  
Syrup Inlets: 3/8" (9.5mm) male barb

#### Flex Manifold Configuration

Total carb / non carb flexibility  
Up to 24 brands  
(16 chilled / 8 ambient)

#### Touchscreen Specifications

Screen Dimensions: 32" diagonal  
Video Format: MPEG / H.264  
Video Max Size: 2GB  
Still Images: not supported  
Brand Images: PNG format (357 x 210 recommended size)  
Flavor Shot Images: PNG format (140 x 126 recommended size)

For more information visit [lancerworldwide.com](http://lancerworldwide.com) or call 1-800-729-1500

6655 Lancer Boulevard • San Antonio, TX 78219 • 210-310-7000 • Fax: 210-310-7250 • © 2024 Lancer™ Worldwide • IBD Bold30i 02/25

"Lancer" and "Lancer Worldwide" are trademarks of Lancer Corp. © 2024 by Lancer™, all rights reserved.