



The **DTS (Drive Thru Solution)** is the perfect solution for back of house beverage dispensing. Featuring a 30" footprint, 24 brands and the versatility to dispense chewable or cubed ice, all while improving speed of service and reducing labor.

Features

- › Offers up to 24 brands (16 chilled / 8 ambient) for personalized experience
- › Dispenses chewable and cubed ice, no additional kit required
- › Integrated touch screens with intuitive functionality
- › No carry over (sweet, color, or taste)
- › 2-piece ice bin lid allows for larger opening for fill
- › Cast-in cold carbonation
- › Lancer Flow Controls (LFCV)
- › Lid holder included
- › Pump deck included

Accessories and Options

- › Ice Maker Adapter Kit
- › Drip Tray or Extended Splash Plate

Certified by these agencies:



CUSTOMER SERVICE

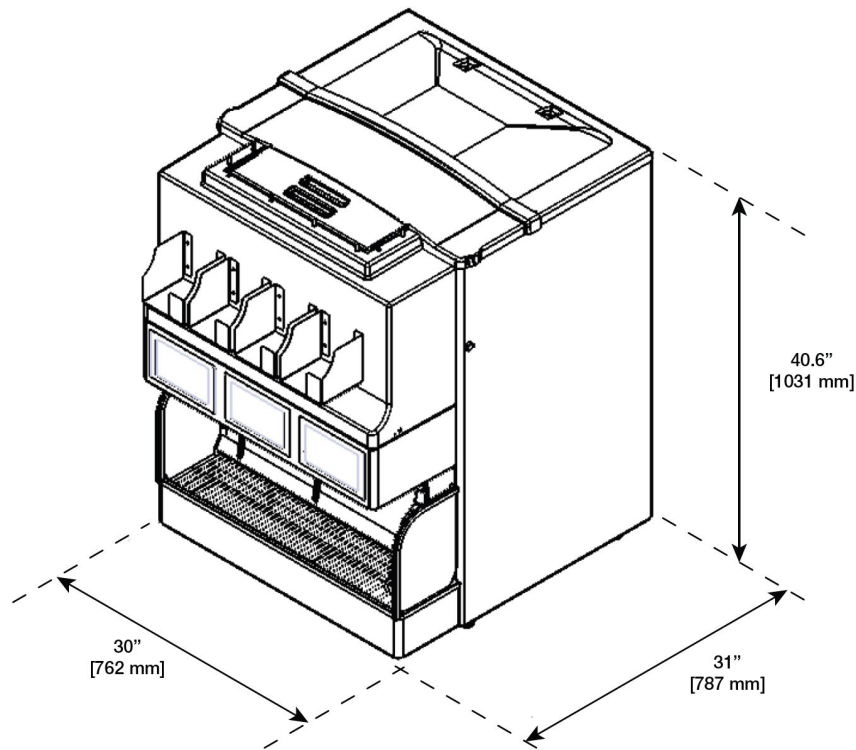
Should you require more information about our products, please do not hesitate to contact our customer service team at custserv@lancerworldwide.com.



WARRANTY

For warranty specifics by product, contact your Lancer™ Sales Representative. Equipment design and/or specifications are subject to change without notice.

For more information visit lancerworldwide.com or call 1-800-729-1500



Dimensions

Height: 40.6" (1031.2 mm)
Width: 30" (762 mm)
Depth: 31" (787 mm)

Space Required

Width: 32" (1168.4 mm)
Depth: 36" (1016 mm)
Height: Allow sufficient clearance for manually filling with ice or refer to ice maker recommendation for top clearance.

Electrical

115V/60Hz, 5 Amps

Weight

With Ice: 570 lbs (259 kg)
Shipping: 290 lbs (132 kg)

Ice Bin Capacity

270 lbs (173 kg)
Accepts 30" and 22" wide ice makers (adapters may be required)

Fittings

Soda Inlets: 3/8" (9.5mm) male barb
Chilled Syrup Inlets: 3/8" (9.5mm) male barb
Ambient Syrup/Bonus Inlets: 1/4" (6.5mm) male barb

Flex Manifold Configuration

Total carb / non carb flexibility
Up to 24 brands
(16 chilled / 8 ambient)

For more information visit lancerworldwide.com or call 1-800-729-1500

6655 Lancer Boulevard • San Antonio, TX 78219 • 210-310-7000 • Fax: 210-310-7250 • © 2024 Lancer™ Worldwide • DTS 02/25

"Lancer" and "Lancer Worldwide" are trademarks of Lancer Corp. © 2024 by Lancer™, all rights reserved.